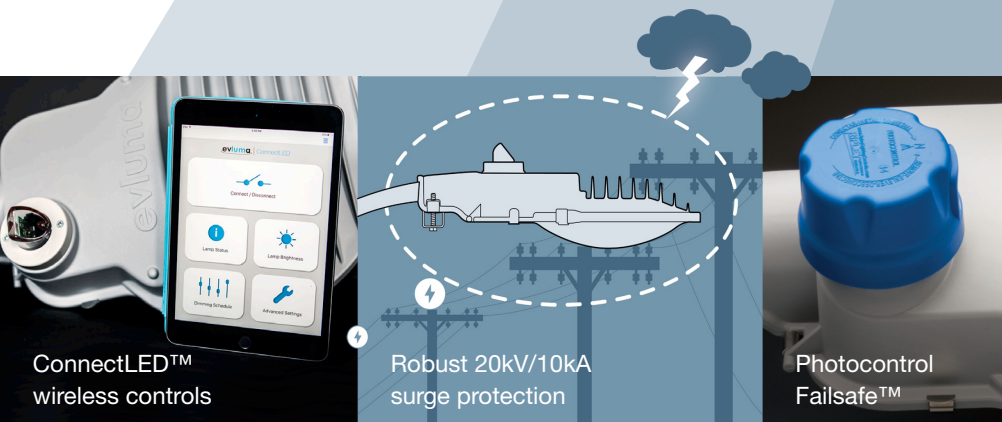


Less Maintenance.  
Less Energy.  
More Light.



ConnectLED™  
wireless controls

Robust 20kV/10kA  
surge protection

Photocontrol  
Failsafe™

**AreaMax™**  
by **evluma**

# AreaMax: Utility Grade LED

A new standard for performance, reliability and savings

Perfect for rural security, residential street lighting, and parking lots. Replace 100-250W HID's with 30W-100W AreaMax LED luminaires and achieve an industry leading 156 lm/W, or more.

AreaMax standard 20kV/10kA is one of the highest rated surge protectors in market. A Class II custom driver, expertly matched components, and patented Evluma technology deliver a robust, utility-grade fixture that's built to last, and it's all backed by a 10 year warranty.

With the lowest total cost of ownership, AreaMax™ LED luminaires achieve major reductions in maintenance and energy costs over HID.

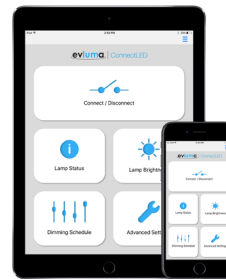


## Photocontrol Failsafe™

### Never roll another truck for a failed photocontrol

When a photocontrol fails, Photocontrol Failsafe™ takes over, eliminating a truck-roll and guaranteeing dusk-till-dawn operation.

Retain the existing NEMA standard twist-lock photocontrol or choose the Evluma integrated photocontrol. Either way, Evluma's Photocontrol Failsafe calibrates the on/off cycle to the unique sunrise/sunset times of the luminaire's geographic location.



## ConnectLED™

### Wireless lighting management

Unlock additional savings with ConnectLED™. This app for Apple, Android or Windows devices communicates wirelessly via BLE (Bluetooth Low Energy) technology to:

- Connect/Disconnect the fixture from service
- Set maximum brightness
- Set scheduled dimming
- Monitor status, and more!



Residential Lighting

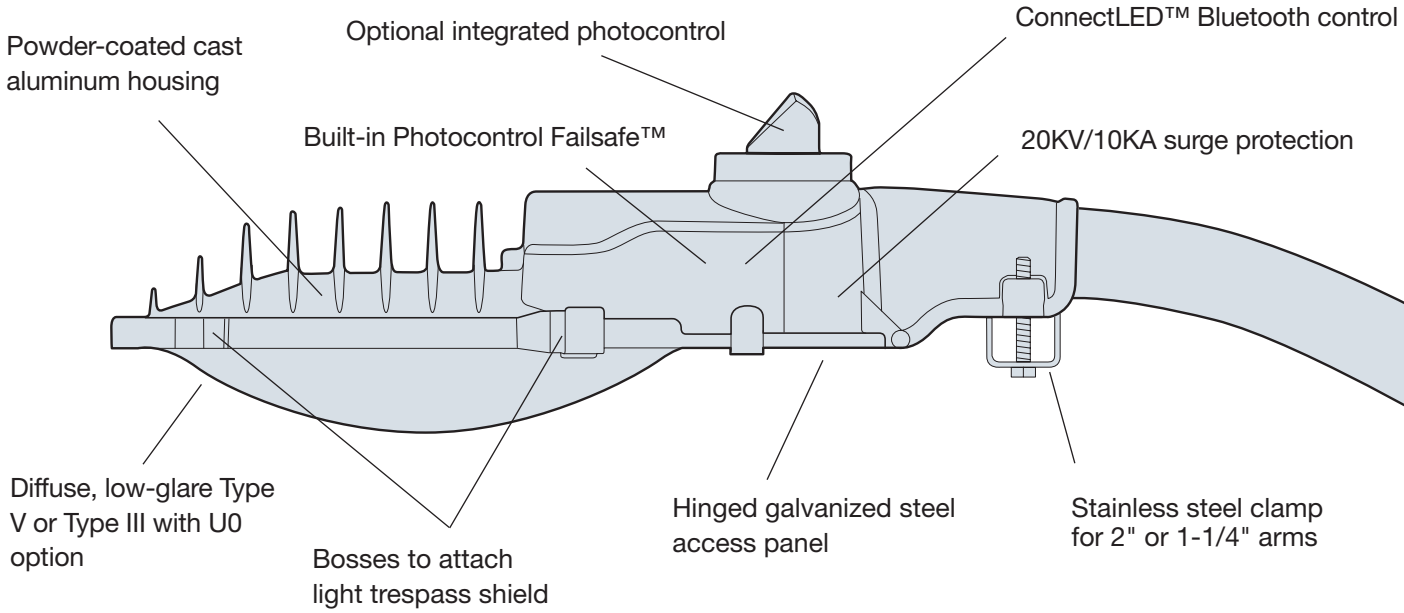


AreaMax LED Security Light

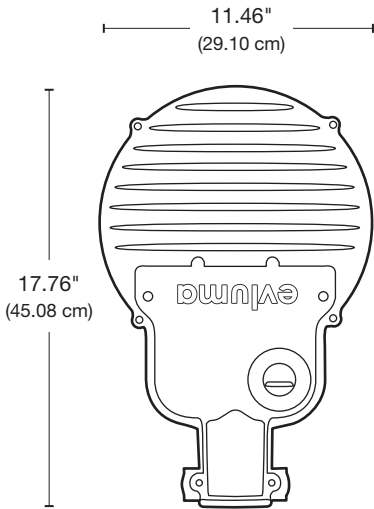


Residential Roadway Lighting

# Features



# Dimensions



### Construction and Finish

Powder-coated, cast aluminum housing, galvanized steel, hinged access hatch with spring clips for easy open and close.

### Mounting

Stainless steel tenon clamp and stainless steel screws accept 2" or 1-1/4" arm for easy slip-on installation.

### Coastal Package Option

Cast aluminum alloy housing with aluminum access hatch, stainless steel tenon clamp and stainless steel bolts. Salt Spray (Fog) Test 3000 hrs.

### Optical (Lens)

Textured glass and a white, optical-grade reflective film liner creates a bright yet low-glare, diffuse light.

### Thermal Management

Thermal measurement protection circuitry controls current levels to the LEDs. Components of minimal thermal resistance, paired with a custom light engine and finned casting design, maximize cooling.

### Accessory: AX-LTS4

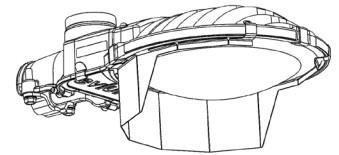
Unfinished aluminum 120° light trespass shield may be placed in one of four positions to prevent light trespass. Order separately.



**Dark Sky Friendly**

We are proud to offer several AreaMax models that have received the IDA Dark Sky Seal of Approval.

Flat lens models (C) with U0, offered in 3000K or 2700K are IDA compliant. [www.darksky.org](http://www.darksky.org)

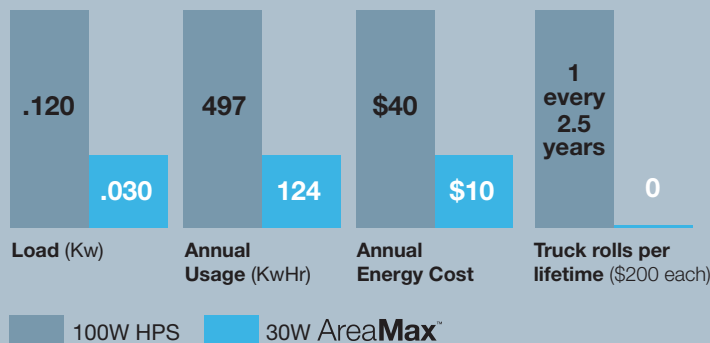


AreaMax with House Side Shield

## 30W Payback Model

### ASSUMPTIONS

**Model number**  
AM-30-50-5-D-P-STD-6  
**Annual operating hours**  
4140  
**Energy cost**  
.08/KwHr



### Savings per Year

.08 Kw  
373 KwHr  
\$30 energy  
\$83 maintenance

**\$113** per fixture

### Total Savings Over 20 Years

**\$2,300**

# Ordering Information

Sample Number: AX-40-50-5-D-S7-CST-6

Product Family	Watts	CCT	Distribution Type	Lens (Options)	Photocontrol Socket (Options)	Environmental Package (Options)	Leads (Options)	Extra
AX = AreaMax	30 = 30 watts	27 = 2700K	5 = type V	D = dome	P = integrated	STD = std outdoor	6 = 66"	- CAP
	40 = 40 watts	30 = 3000K	3 = type III	C = full cutoff*	S3 = 3 pin socket	CST = coastal	10 = 10'	incl
	55 = 55 watts	40 = 4000K			S7 = 7 pin socket		20 = 20'	shorting
	70 = 70 watts	50 = 5000K		*full cutoff delivers U0			N = none	cap
	100 = 100 watts							

## Performance Data 80 CRI for 2700K, all other models CRI >70

### 30W recommended to replace 70-100W HID

Code	Lumens	LM/W
<b>TYPE V</b>		
50 5 (C)	4500	151
50 5 (D)	4500	153
40 5 (C)	4400	149
40 5 (D)	4500	151
30 5 (C)	4300	145
30 5 (D)	4400	147
27 5 (C)	3600	123
27 5 (D)	3700	126
<b>TYPE III</b>		
50 3 (C)	4600	154
50 3 (D)	4600	156
40 3 (C)	4500	152
40 3 (D)	4600	154
30 3 (C)	4400	148
30 3 (D)	4500	150
27 3 (C)	3800	127
27 3 (D)	3800	129

### 40W recommended to replace 100-150W HID

Code	Lumens	LM/W
<b>TYPE V</b>		
50 5 (C)	5900	148
50 5 (D)	6000	150
40 5 (C)	5800	147
40 5 (D)	5900	149
30 5 (C)	5600	142
30 5 (D)	5700	144
27 5 (C)	4800	122
27 5 (D)	5000	125
<b>TYPE III</b>		
50 3 (C)	6000	151
50 3 (D)	6100	153
40 3 (C)	6000	150
40 3 (D)	6000	152
30 3 (C)	5800	145
30 3 (D)	5800	147
27 3 (C)	5000	126
27 3 (D)	5100	128

### 55W recommended to replace 100-175W HID

Code	Lumens	LM/W
<b>TYPE V</b>		
50 5 (C)	7700	141
50 5 (D)	7800	143
40 5 (C)	7700	140
40 5 (D)	7800	142
30 5 (C)	7400	136
30 5 (D)	7500	137
27 5 (D)	6300	116
27 5 (D)	6500	119
<b>TYPE III</b>		
50 3 (C)	7900	144
50 3 (D)	8000	146
40 3 (C)	7800	143
40 3 (D)	7900	145
30 3 (C)	7500	138
30 3 (D)	7700	140
27 3 (C)	6600	120
27 3 (D)	6700	122

### 70W recommended to replace 100-200W HID

Code	Lumens	LM/W
<b>TYPE V</b>		
50 5 (C)	9300	134
50 5 (D)	9500	136
40 5 (C)	9300	133
40 5 (D)	9400	135
30 5 (C)	9000	129
30 5 (D)	9100	131
27 5 (C)	7700	111
27 5 (D)	7900	113
<b>TYPE III</b>		
50 3 (C)	9500	137
50 3 (D)	9700	139
40 3 (C)	9500	136
40 3 (D)	9600	138
30 3 (C)	9200	136
30 3 (D)	9300	132
27 3 (C)	7900	113
27 3 (D)	8000	115

### 100W recommended to replace 200-250W HID

Code	Lumens	LM/W
<b>TYPE V</b>		
50 5 (C)	12,300	123
50 5 (D)	12,500	125
40 5 (C)	12,200	122
40 5 (D)	12,400	124
30 5 (C)	11,800	118
30 5 (D)	12,000	120
27 5 (C)	10,200	102
27 5 (D)	10,400	104
<b>TYPE III</b>		
50 3 (C)	12,600	126
50 3 (D)	12,800	128
40 3 (C)	12,500	125
40 3 (D)	12,700	127
30 3 (C)	12,100	121
30 3 (D)	12,300	123
27 3 (C)	10,400	104
27 3 (D)	10,600	106

## Technical Specs

### Electrical Data

Driver	120-277 VAC 50/60Hz Proprietary patented Class II Driver
Surge Protection	20kV/10kA IEEE/ANSI C136.2- 2018 Location C-High

### Lumen Maintenance

L70 (10,000)	>55,000 hrs
L70 (TM-21)	>100,000 hrs

### Warranty

Warranty	10 Years
----------	----------

### Energy Data

Power Factor	>99%
THD	<10% at 120 VAC <20% at 277 VAC
Off-state Power	<1/2W
Driver Lifetime	>100,000 hrs
Temperature	Ambient Min -40°C Ambient Max 50°C

### Certification Data

UL 1598 Met Labs	
IP66 IEC 60598-1	
ASTM D2247-6	Humidity
FM 4473	Hail Impact Resistance
ANSI	Level 2 3G
C136.31-2018	Bridge/Overpass



## Evluma makes one thing: Utility-grade outdoor LED lighting solutions

From heat management, to light quality, to integrated controls, we've been solving the biggest challenges in LED for over 2 decades. We help cities, municipalities and utility providers evolve their lighting infrastructure to meet the needs of tomorrow.

TP-0047 REV A03a



3600 Lind Avenue SW Suite 140  
Renton WA 98057  
425-336-5800 [www.evluma.com](http://www.evluma.com)